

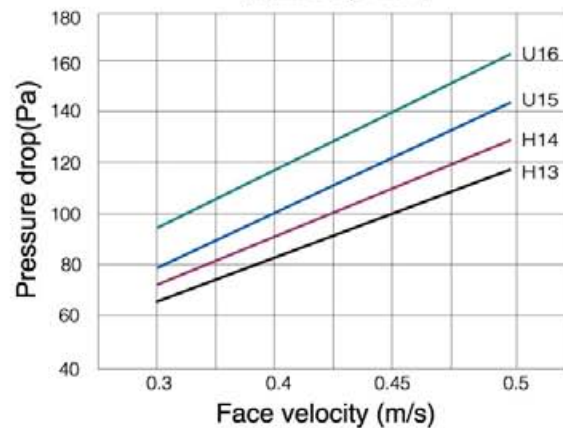
HEPA/ULPA

HEPA and ULPA Filters

Efficiencies

Efficiency	EN1822 Standard MPPS Efficiency
99.99% @ 0.3 μ m	99.95% (H13)
99.999% @ 0.3 μ m	99.995% (H14)
99.9995% @ 0.12 μ m	99.9995% (U15)
99.99995% @ 0.12 μ m	99.99995% (U16)

Face Velocity vs. Pressure Drop
(70mm Deep Filters)



Sizes

Dimension HxW (mm)	Rated Air Volume	
	(m ³ /min)	(m ³ /h)
570x570	7.9	470
570x1170	16.6	1000
610x305	4.3	260
610x915	13.8	830
870x1170	25.9	1600
1170x1170	35.1	2100

- Remarks:
1. Gasket type thickness is available in 50mm, 65mm, 70mm, 80mm, 90mm, 100mm and 110mm.
 2. Knife-edge type thickness is 88mm.
 3. Gel seal type thickness is 78mm.
 4. Face velocity is at 0.45m/s.

Component Materials

Description	Material
Frame	Aluminum
Gasket	EPDM
Media	Glass Fiber
Spacer	Hot Melt
Sealant	Polyurethane
Face Guard	Powder-coated Steel
Max Operating Temp.	80°C
Max Operating Hum.	100%RH



Model Number

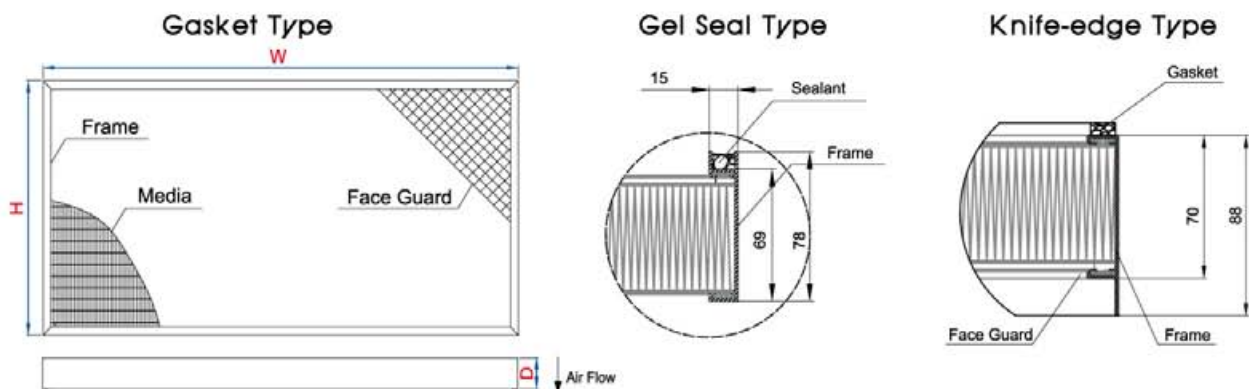
□□ 03-□□□-□□□□-□-□□-□□-□

Type: None-Gasket, K-Knife-edge, U-Gel Seal
 Gasket: E0-None, E1-Inlet, E2-Both Sides
 Face Guard: G0-None, G1-Outlet, G2-Both Sides
 Frame: A-Aluminum, G-Galvalume
 H, mm W, mm D, mm
 Efficiency: H13, H14, U15, U16
 MayAir
 H-HEPA, U-ULPA

Technical Data

Frame	Filter Deep (mm)	Face Velocity (m/s)	Pressure Drop(Pa)			
			H13	H14	U15	U16
Gasket	50	0.35	108	115	135	148
	65	0.45	100	110	125	140
	70	0.45	100	110	125	140
	80	0.45	85	91	103	115
	90	0.45	85	91	103	115
	100	0.45	70	74	84	94
	110	0.45	70	74	84	94
Knife-edge	88	0.45	100	110	125	140
Gel Seal	78	0.45	110	125	140	-

Construction Details



MayAir International

Address: No.59 Shuntai Street, Jiangning Economic Development Zone,
Nanjing, Jiangsu Province, 211100 P.R.China

Tel: +86-25-5212 4676

Fax: +86-25-5212 4055

E-mail: enquiry@mayair.com.cn Website: www.mayairgroup.com

MayAir has a policy of continuous product development and improvement and reserves the right to change design and specifications without prior notice.
PB-HEPA/ULPA-EN-2010B

HEPA/ULPA